



94 JACKSON ROAD, SUITE 110, DEVENS, MA 01434

ADAPTORS

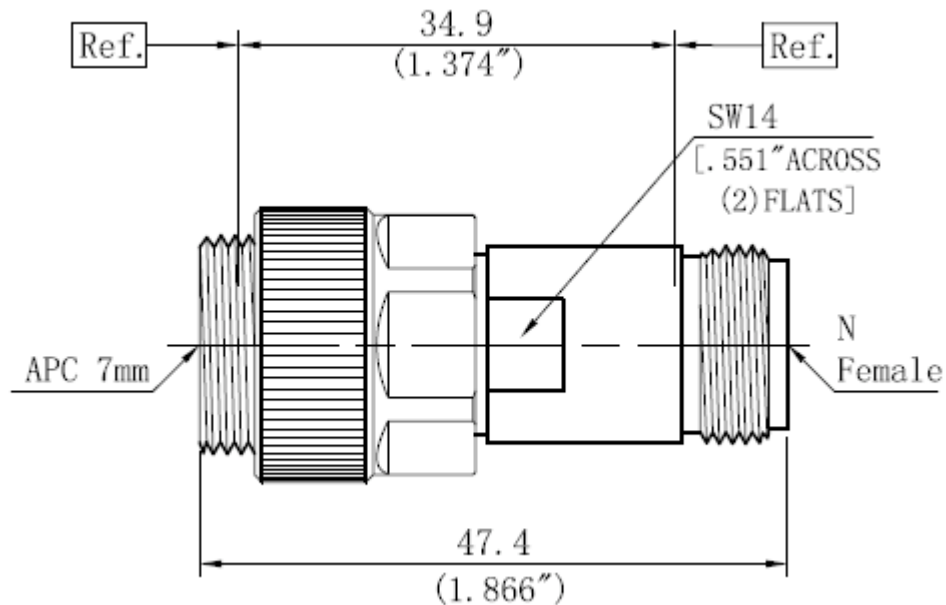
Model RMAD.BS.7N18ff Between Series – 7mm to N female/female

Electrical Specifications:

Frequency (GHz)	Impedance (Ω)	VSWR (max)	Insertion Loss (dB f=frequency GHz)
DC – 18	50	1.10:1	0.07 f $\frac{1}{2}$

Notes:

- Material:
 Body: SUS303 stainless steel/passivate
 Socket Contacts: BeCu/gold
 Dielectric: PEI
- Operation temperature: -65C to +105C deg



Dimensions are in mm. All specifications subject to change

Telephone: 978-772-3767

Fax: 978-772-3768

www.responsemicrowave.com